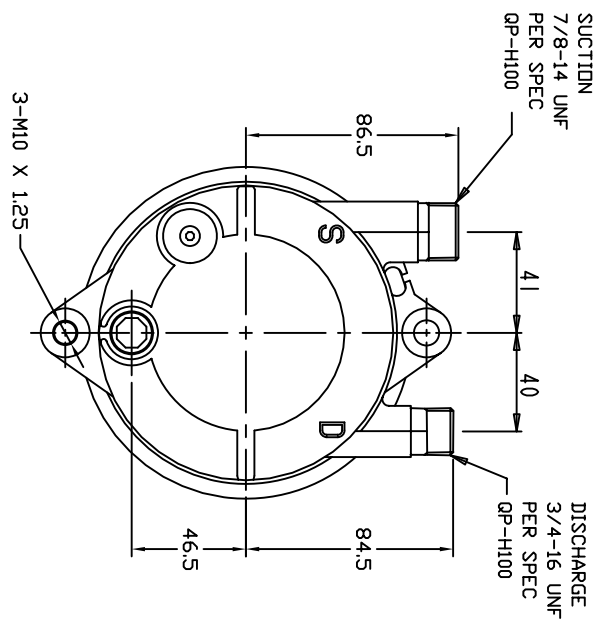
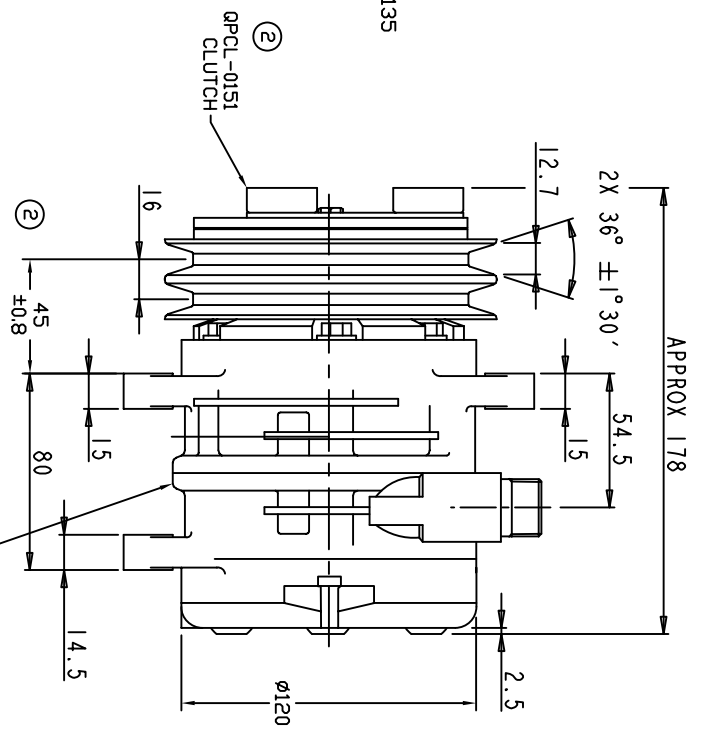
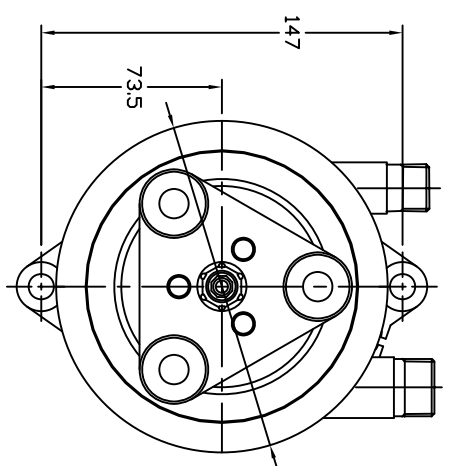


TERMINAL LEAD DETAIL

REVISIONS		DATE	APPROVED
CHANGE ORDER	LTR	DESCRIPTION	
008023	1	PAG 46 was PAG 100	09/30/08
009035	2	ADDED TOLERANCE & PART NO	09/09/09



CLUTCH SPECIFICATIONS:

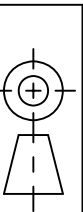
- VOLTAGE..... 12 VDC
- BELT..... A2
- STATIC TORQUE..... 35 Nm (3.5 Kgfm)
- INITIAL AFTER BURNISHING..... 49 Nm (5 Kgfm)
- MAX POWER CONSUMPTION..... 45W @ 25°C
- ROTATION DIRECTION..... CW OR CCW
- WEIGHT..... 2.25 Kg

COMPRESSOR SPECIFICATIONS:

- MODEL..... QP08HD
- NUMBER OF CYLINDERS..... 6
- BORE X STROKE..... 36 X 13.4 mm
- DISPLACEMENT..... 82.0 cm³/REV
- SPEED RANGE..... 700 - 6000 RPM
- ROTATION DIRECTION..... CW OR CCW
- REFRIGERANT..... R-134g
- LUBRICANT..... PAG 46 ISO+20 cm³
- WEIGHT..... 4.1 Kg

UNLESS OTHERWISE SPECIFIED
DIMENSIONS ARE IN MM PER
INTERPRET DIM AND TOL PER
ASME Y14.5M - 1994

THIRD ANGLE PROJECTION



CAD GENERATED DRAWING, DO NOT MANUALLY UPDATE	DATE
GLB	06/21/07

CHECKED
APPROVED
ENG APPVL



TITLE
COMPRESSOR ASSEMBLY
QP08HD V-3/4 7/8

SIZE CODE IDENT NO DWG NO
A A2 135mm 12V 3-EYE
SCALE: NONE
SHEET 1 OF 1

REV 2