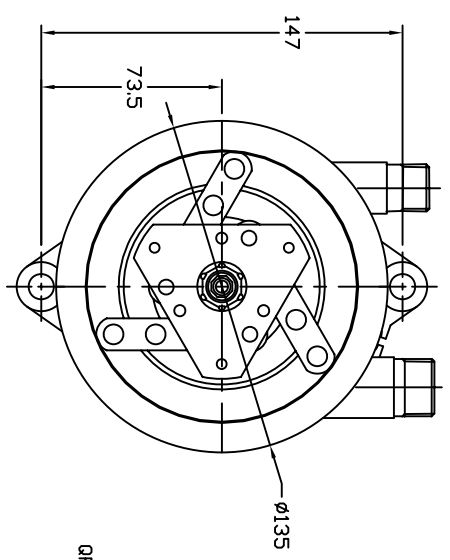


TERMINAL LEAD DETAIL

REVISIONS		DATE	APPROVED
CHANGE ORDER	LTR	DESCRIPTION	

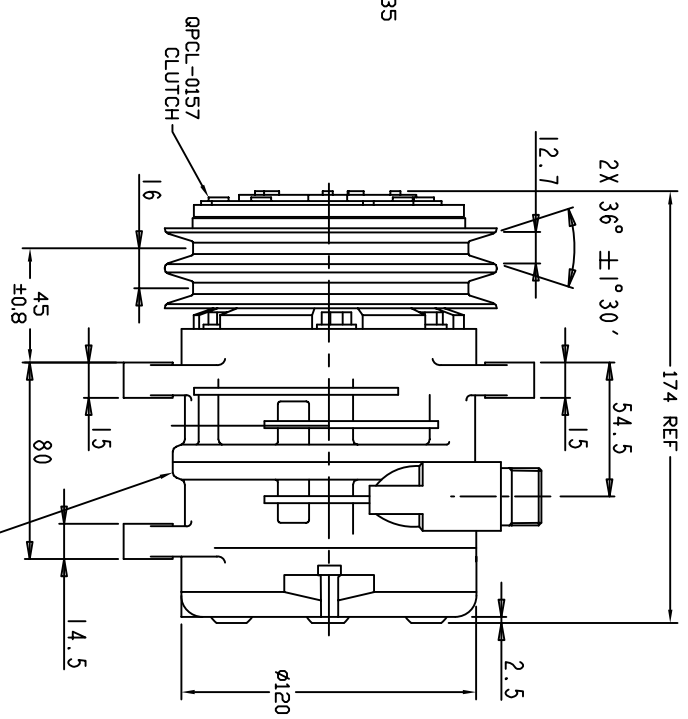


CLUTCH SPECIFICATIONS:

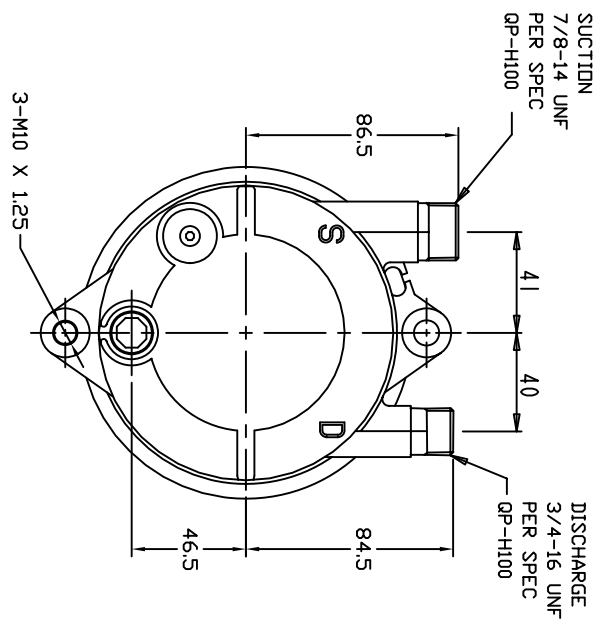
- VOLTAGE..... 12 VDC
- BELT..... A2
- STATIC TORQUE..... 35 Nm (3.5 Kgfm)
- INITIAL AFTER BURNISHING..... 49 Nm (5 Kgfm)
- MAX POWER CONSUMPTION..... 45W @ 25°C
- ROTATION DIRECTION..... CW OR CCW
- WEIGHT..... 2.25 Kg

COMPRESSOR SPECIFICATIONS:

- MODEL..... QP08HD
- NUMBER OF CYLINDERS..... 6
- BORE X STROKE..... 36 X 13.4 mm
- DISPLACEMENT..... 82.0 cm<sup>3</sup>/REV
- SPEED RANGE..... 700 - 6000 RPM
- ROTATION DIRECTION..... CW OR CCW
- REFRIGERANT..... R-134g
- LUBRICANT..... PAG 46 ISO+20 cm<sup>3</sup>
- WEIGHT..... 4.1 Kg



QP08-1000A COMPRESSOR



SUCTION  
7/8-14 UNF  
PER SPEC  
QP-H100

DISCHARGE  
3/4-16 UNF  
PER SPEC  
QP-H100

UNLESS OTHERWISE SPECIFIED  
DIMENSIONS ARE IN MM PER  
ASME Y14.5M - 1994

**DOE PRODUCTS, LLC**

THIRD ANGLE PROJECTION	CAD GENERATED DRAWING, DO NOT MANUALLY UPDATE	TITLE COMPRESSOR ASSEMBLY
FINISH	DRAWN GLB	DATE 11/24/09
	CHECKED	SIZE A2 135mm 12V LEAF SPRING
	APPROVED	SCALE: NONE
	ENG APPVL	SHEET 1 OF 1