

6

5

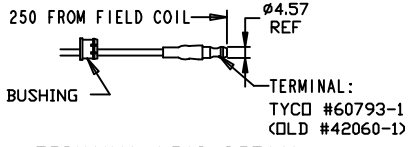
4

3

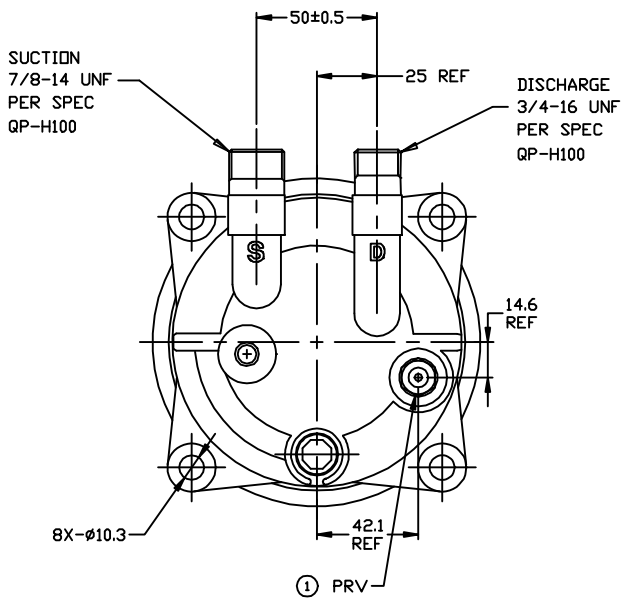
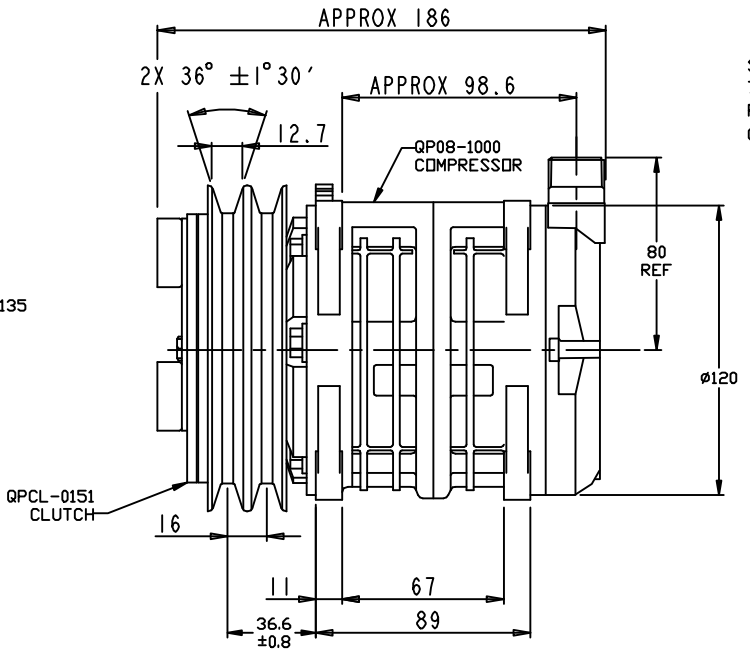
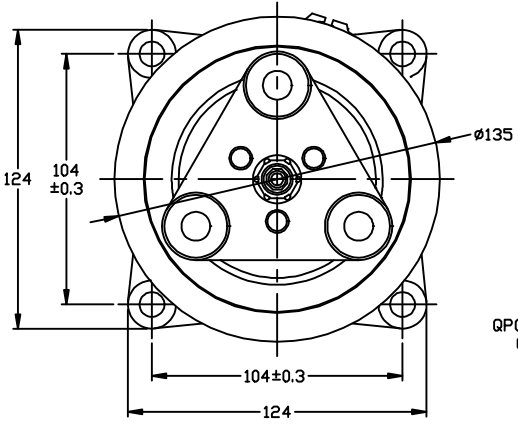
2

1

REVISIONS				
CHANGE ORDER	LTR	DESCRIPTION	DATE	APPROVED
Q11002	1	ADDED PRV & LOCATING DIMS	03/25/11	



TERMINAL LEAD DETAIL



- CLUTCH SPECIFICATIONS:**
- VOLTAGE..... .12 VDC
  - BELT..... .A2
  - STATIC TORQUE  
INITIAL..... .35 Nm (3.5 Kgfm)  
AFTER BURNISHING..... .49 Nm (5 Kgfm)
  - MAX POWER CONSUMPTION..... .45W @ 25°C
  - ROTATION DIRECTION..... .CW OR CCW
  - WEIGHT..... .2.25 Kg

- COMPRESSOR SPECIFICATIONS:**
- MODEL..... QP08HD
  - NUMBER OF CYLINDERS..... .6
  - BORE X STROKE..... .36 X 13.4 mm
  - DISPLACEMENT..... .82.0 cm<sup>3</sup>/REV
  - SPEED RANGE..... .700 - 6000 RPM
  - ROTATION DIRECTION..... .CW OR CCW
  - REFRIGERANT..... .R-134a
  - LUBRICANT..... .PAG 46 150+20cm<sup>3</sup>
  - WEIGHT..... .4.1 Kg

THIRD ANGLE PROJECTION	UNLESS OTHERWISE SPECIFIED DIMENSIONS ARE IN MM. INTERPRET DIM AND TOL PER ASME Y14.5M - 1994		CAD GENERATED DRAWING, DO NOT MANUALLY UPDATE	
	DRAWN	GLB	DATE	11/24/09
	CHECKED			
	APPROVED			
FINISH		ENG APPVL		

**QUE PRODUCTS, LLC**  
DECATUR, ILLINOIS

TITLE  
COMPRESSOR ASSEMBLY  
QP08HD V-3/4 7/8  
A2 GROOVE 135mm 12V 3-EYE

SIZE A	CODE IDENT NO	DWG NO QP08-1136	REV 1
-----------	---------------	---------------------	----------

SCALE: NONE SHEET 1 OF 1

6

5

4

3

2

1