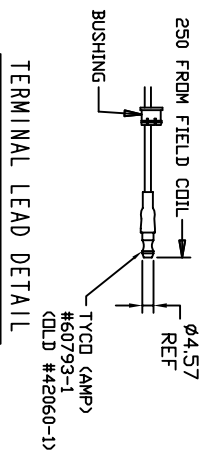
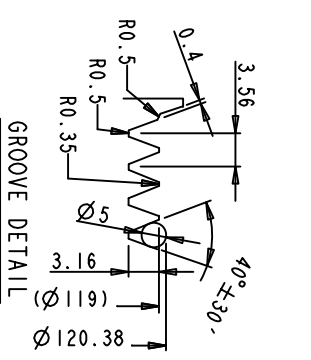
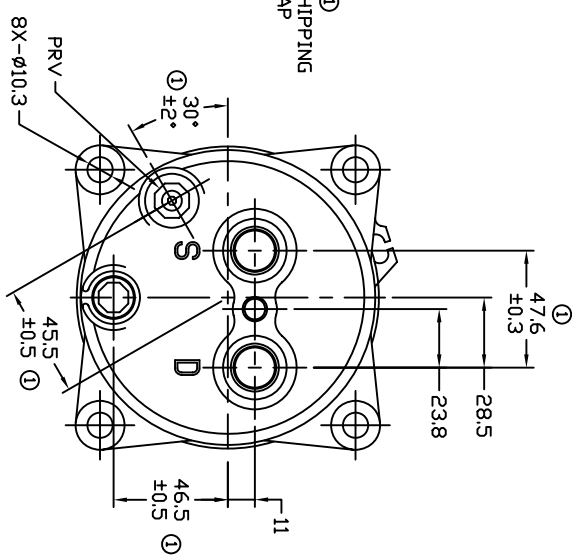
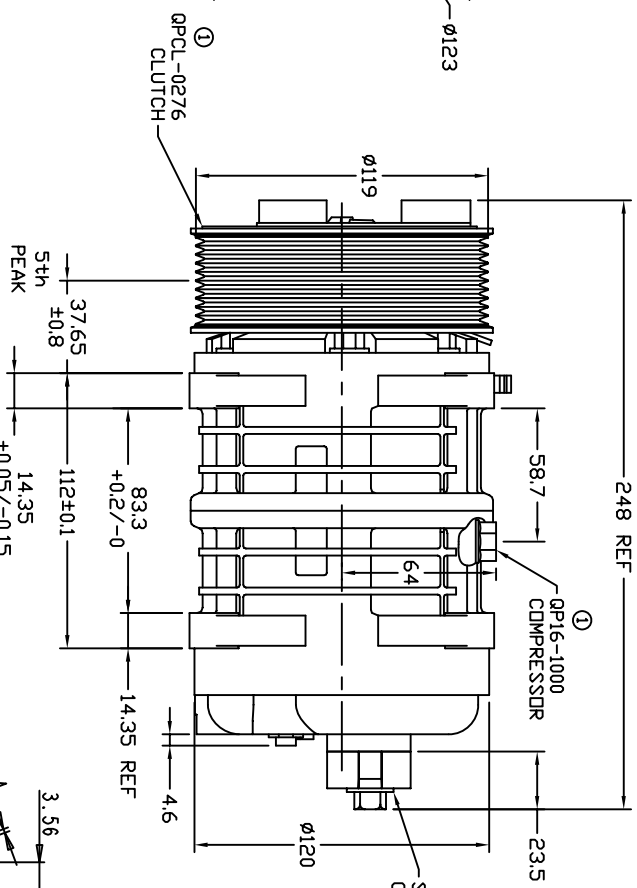
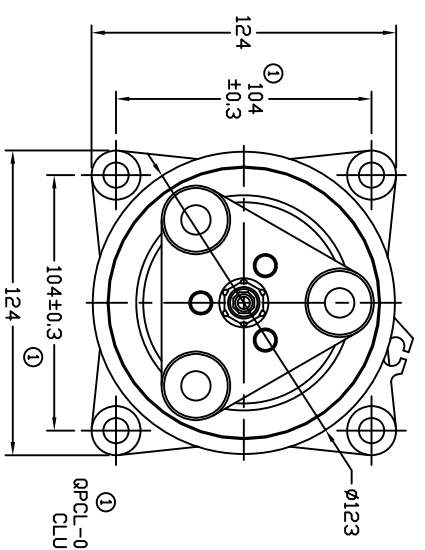


REVISIONS		DATE	APPROVED
CHANGE ORDER	LTR	DESCRIPTION	
009035	1	ADDED TOLERANCES & PART NOS	11/05/09



TERMINAL LEAD DETAIL



GROOVE DETAIL

- CLUTCH SPECIFICATIONS:
- VOLTAGE..... 24DC
 - BELT..... PV10
 - STATIC TORQUE.....
 - INITIAL AFTER BURNISHING..... 35 Nm (3.5 Kgfm)
 - MAX POWER CONSUMPTION..... 49 Nm (5 Kgfm)
 - ROTATION DIRECTION..... 45W @ 25°C
 - WEIGHT..... CW OR CCW
 - WEIGHT..... 2.28 Kg

- COMPRESSOR SPECIFICATIONS:
- MODEL..... QP16
 - NUMBER OF CYLINDERS..... 6
 - BORE X STROKE..... 36 X 26.7 mm
 - DISPLACEMENT..... 162.9 cm³/REV
 - SPEED RANGE..... 700 - 6000 RPM
 - ROTATION DIRECTION..... CW OR CCW
 - REFRIGERANT..... R-134a
 - LUBRICANT..... PAG 46 180+20cm³
 - WEIGHT..... 4.7 Kg

UNLESS OTHERWISE SPECIFIED DIMENSIONS ARE IN MM. PER INTERPRET DIM AND TOL PER ASME Y14.5M - 1994

ROQUE PRODUCTS, LLC

TITLE: COMPRESSOR ASSEMBLY
 QP16HD H-PAD
 PV10 119mm 24V 3-EYE

THIRD ANGLE PROJECTION	DRAWN	DATE	SCALE	REV
	GLB	05/13/09	NONE	1
FINISH	CHECKED			
	APPROVED			
	ENG APPVL			