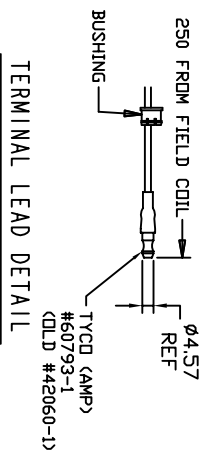
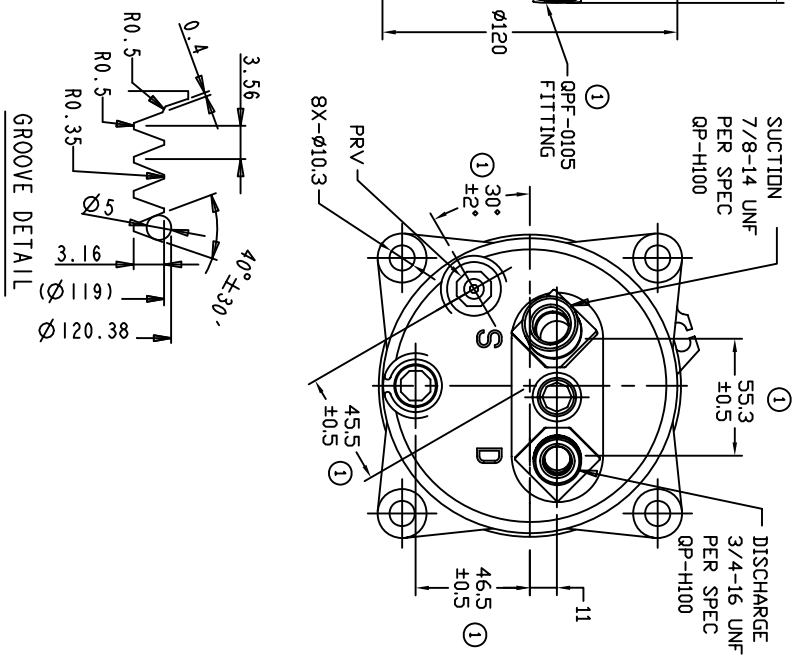
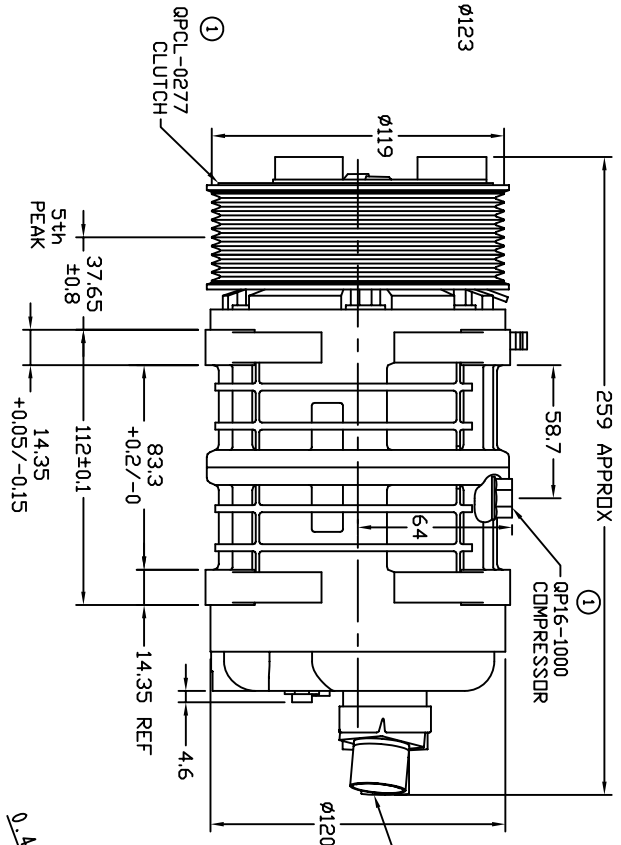
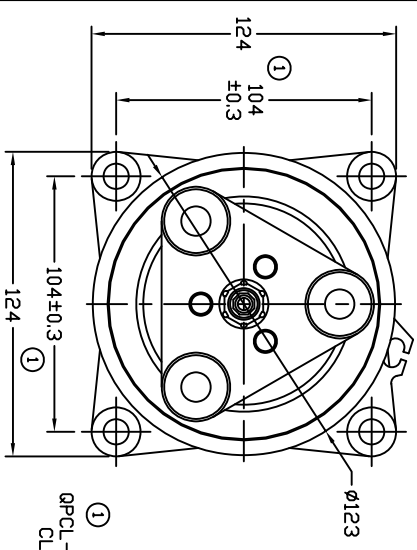


REVISIONS		DATE	APPROVED
CHANGE ORDER	LTR	DESCRIPTION	
009035	1	ADDED TOLERANCES & PART NOS	10/23/09



TERMINAL LEAD DETAIL



GROOVE DETAIL

- CLUTCH SPECIFICATIONS:**
- VOLTAGE..... 12VDC
  - BELT..... PV10
  - STATIC TORQUE.....
  - INITIAL AFTER BURNISHING..... 35 Nm (3.5 Kgfm)
  - MAX POWER CONSUMPTION..... 49 Nm (5 Kgfm)
  - ROTATION DIRECTION..... CW OR CCW
  - WEIGHT..... 2.28 Kg

**COMPRESSOR SPECIFICATIONS:**

- MODEL..... QP16
- NUMBER OF CYLINDERS..... 6
- BORE X STROKE..... 36 X 26.7 mm
- DISPLACEMENT..... 162.9 cm<sup>3</sup>/REV
- SPEED RANGE..... 700 - 6000 RPM
- ROTATION DIRECTION..... CW OR CCW
- REFRIGERANT..... R-134a
- LUBRICANT..... PAG 46 180+20cm<sup>3</sup>
- WEIGHT..... 4.7 Kg

UNLESS OTHERWISE SPECIFIED  
DIMENSIONS ARE IN MM. PER  
INTERPRET DIM AND TOL. PER  
ASME Y14.5M - 1994

**ROQUE PRODUCTS, LLC**

THIRD ANGLE PROJECTION	CAD GENERATED DRAWING; DO NOT MANUALLY UPDATE	TITLE
	DATE: 06/24/09	COMPRESSOR ASSEMBLY
CHECKED	DATE	QP16HD, H 3/4 - 7/8
APPROVED		PV10 123mm 12V 3-EYE
ENG APPVL		

FINISH	APPROVED	SCALE NONE	SHEET 1 OF 1
	ENG APPVL		
		SIZE CODE IDENT NO DWG NO	REV 1
		QP16-1707	