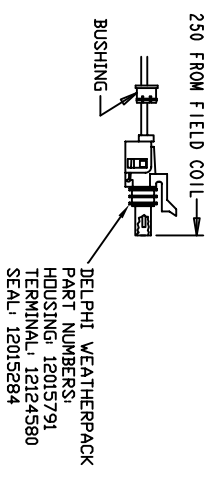
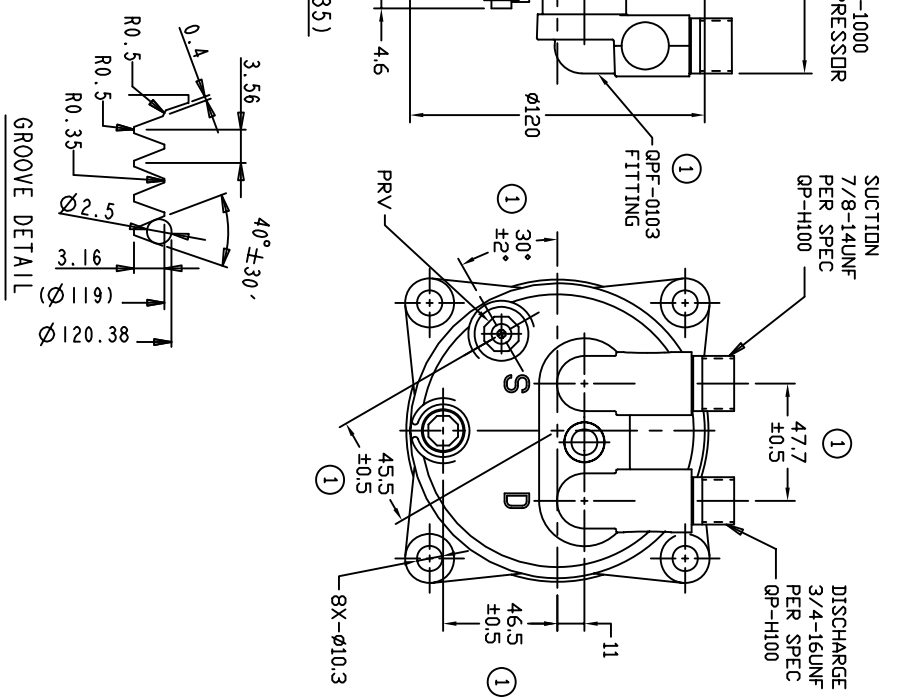
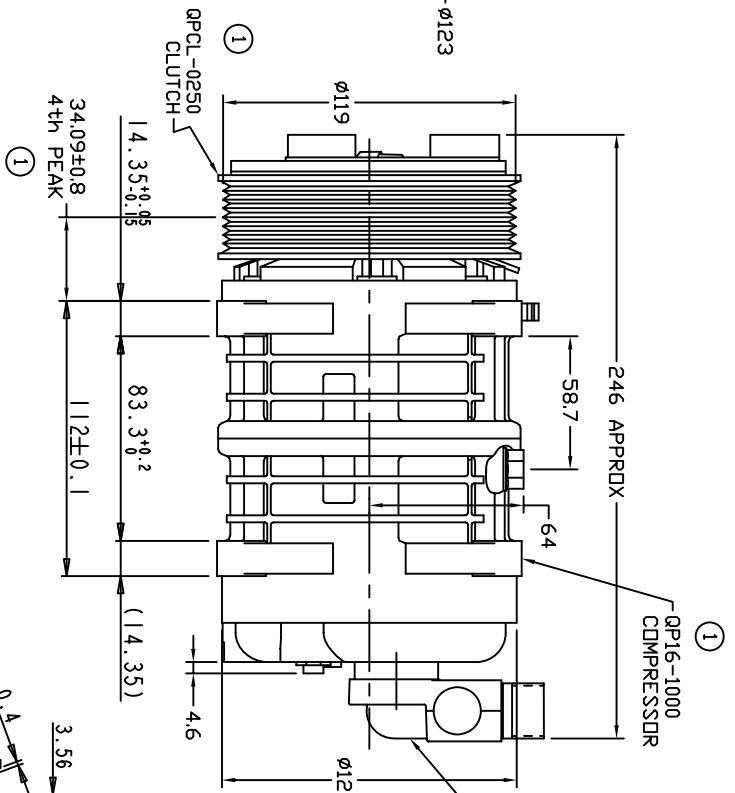
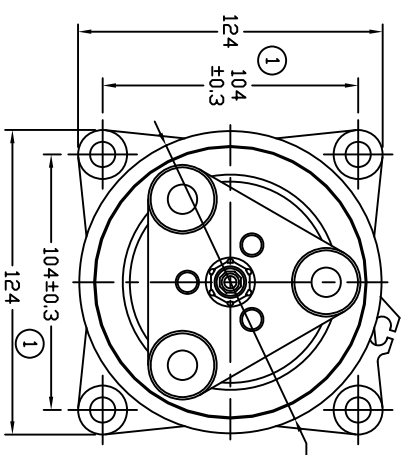


REVISIONS		DATE	APPROVED
CHANGE ORDER	LTR	DESCRIPTION	
009035	1	ADDED TOLERANCES & PART NOS	09/02/09



TERMINAL LEAD DETAIL



CLUTCH SPECIFICATIONS:

- VOLTAGE..... 12 VDC
- BELT..... PV8
- STATIC TORQUE.....
- INITIAL AFTER BURNISHING..... 35 Nm (3.5 Kgfm)
- MAX POWER CONSUMPTION..... 49 Nm (5 Kgfm) 45W @ 25°C
- ROTATION DIRECTION..... CW OR CCW
- WEIGHT..... 2.30 Kg

COMPRESSOR SPECIFICATIONS:

- MODEL..... QP16HD
- NUMBER OF CYLINDERS..... 6
- BORE X STROKE..... 36 X 26.7 mm
- DISPLACEMENT..... 162.9 cm<sup>3</sup>/REV
- SPEED RANGE..... 700 - 6000 RPM
- ROTATION DIRECTION..... CW OR CCW
- REFRIGERANT..... R-134a
- LUBRICANT..... PAG 46 180+20 cm<sup>3</sup>
- WEIGHT..... 4.7 Kg

UNLESS OTHERWISE SPECIFIED DIMENSIONS ARE IN MM. PER INTERPRET DIM AND TOL PER ASME Y14.5M - 1994



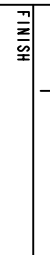
CAD GENERATED DRAWING. DO NOT MANUALLY UPDATE.

TITLE  
COMPRESSOR ASSEMBLY  
QP16HD V-3/4 7/8  
PV8 119mm 12V 3 EYE



THIRD ANGLE PROJECTION  
DRAWN: GLB  
DATE: 07/08/09  
CHECKED:  
APPROVED:

SCALE: NONE  
SIZE: A  
CODE IDENT NO: QP16-1581  
DWG NO:  
SHEET 1 OF 1



FINISH  
ENG APPVL

REV 1

A

6 5 4 3 2

3 2

1

A