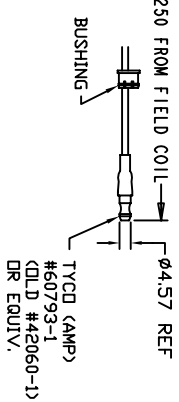
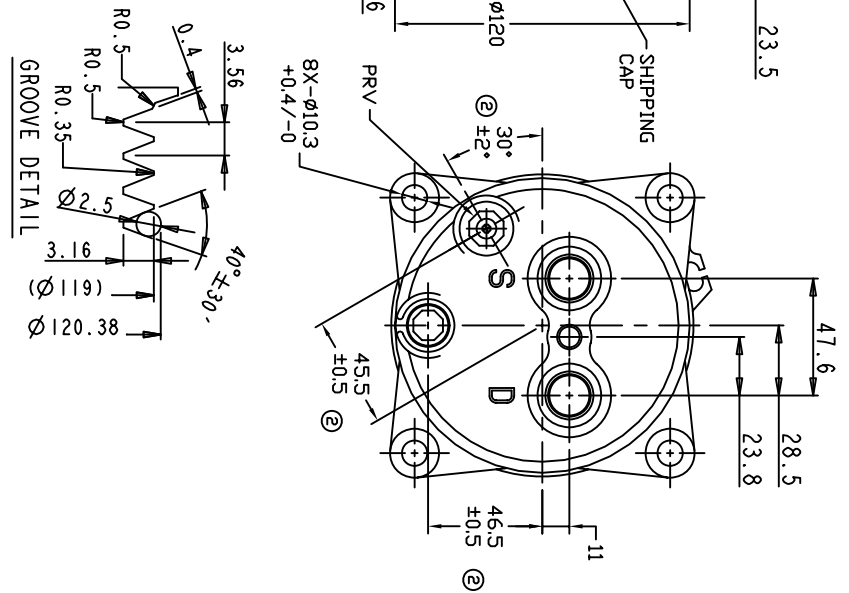
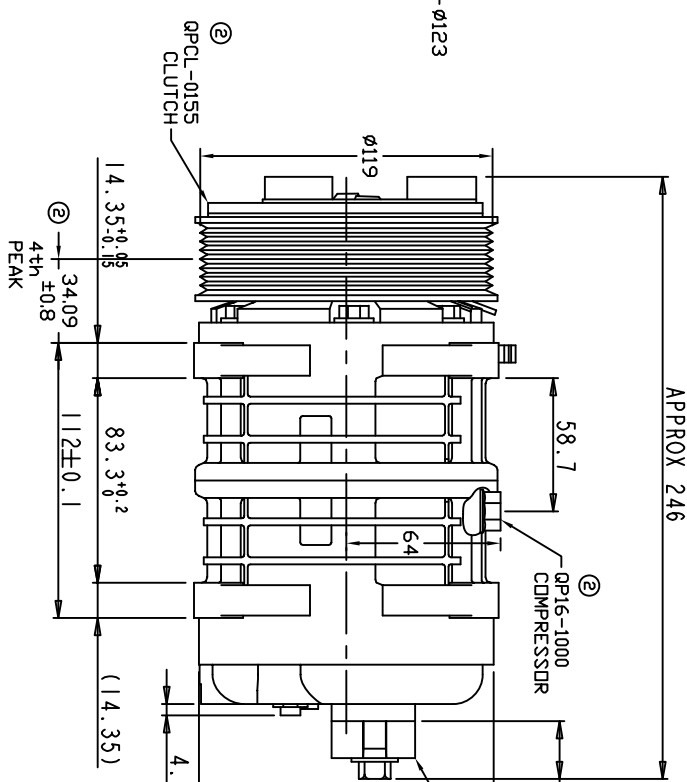
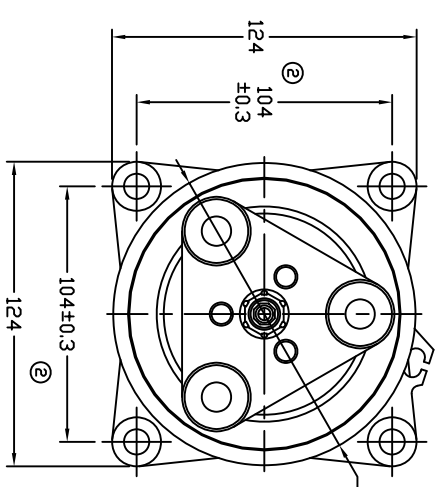


REVISIONS			DATE	APPROVED
CHANGE ORDER	LTR	DESCRIPTION		
008023	1	PAG 46 was PAG 100	08/26/08	
009035	2	ADDED TOLERANCES & PART NOS	10/14/09	



TERMINAL LEAD DETAIL



CLUTCH SPECIFICATIONS:

- VOLTAGE..... 12 VDC
- BELT..... PV8
- STATIC TORQUE..... 35 Nm (3.5 Kgfm)
- INITIAL AFTER BURNISHING..... 49 Nm (5 Kgfm)
- MAX POWER CONSUMPTION..... 45W @ 25°C
- ROTATION DIRECTION..... CW OR CCW
- WEIGHT..... 2.25 Kg

COMPRESSOR SPECIFICATIONS:

- MODEL..... QP16HD
- NUMBER OF CYLINDERS..... 6
- BORE X STROKE..... 36 X 26.7 mm
- DISPLACEMENT..... 162.9 cm<sup>3</sup>/REV
- SPEED RANGE..... 700 - 6000 RPM
- ROTATION DIRECTION..... CW OR CCW
- REFRIGERANT..... R-134a
- LUBRICANT..... PAG 46 180+20cm<sup>3</sup>
- WEIGHT..... 4.7 Kg

UNLESS OTHERWISE SPECIFIED  
 DIMENSIONS ARE IN MM. PER  
 INTERPRET DIM AND TOL. PER  
 ASME Y14.5M - 1994



THIRD ANGLE PROJECTION	CAD GENERATED DRAWING; DO NOT MANUALLY UPDATE	TITLE
	DRWN: GLB CHKD: APPROVED DATE: 11/08/07 ENG APPVL	COMPRESSOR ASSEMBLY QP16HD H-PAD PV8 119mm 12V 3-EYE
FINISH	SCALE: NONE	SHEET 1 OF 1