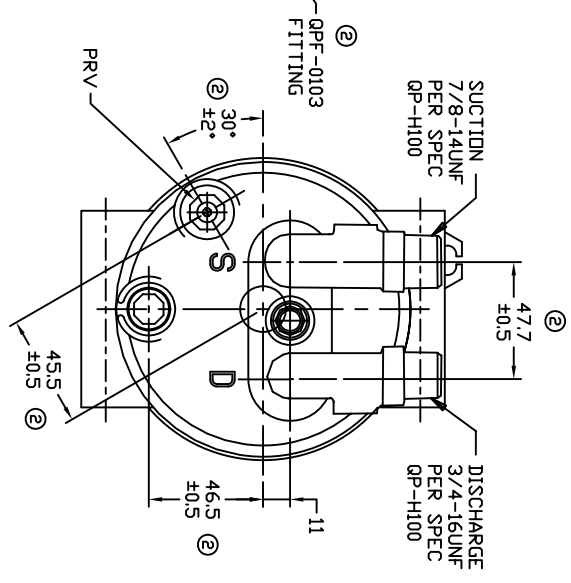
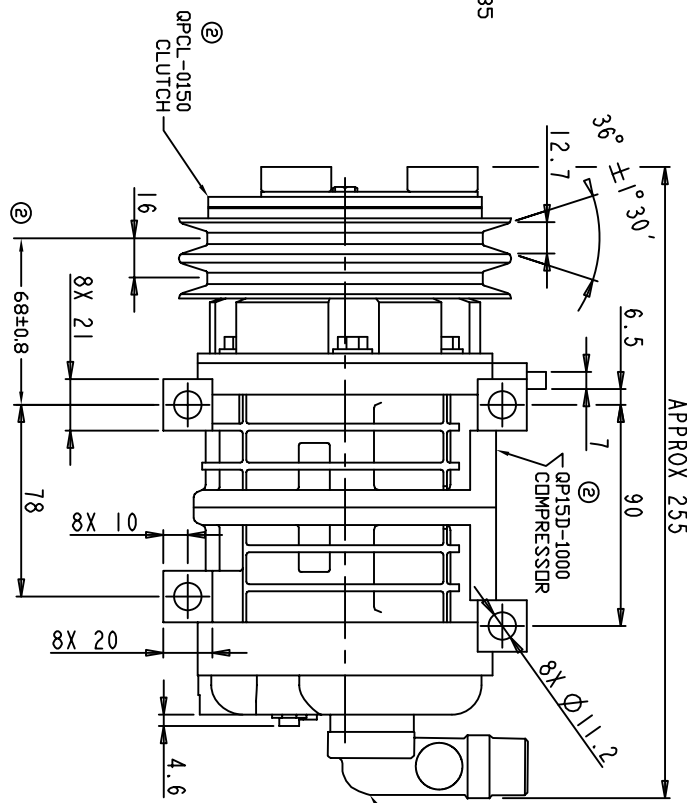
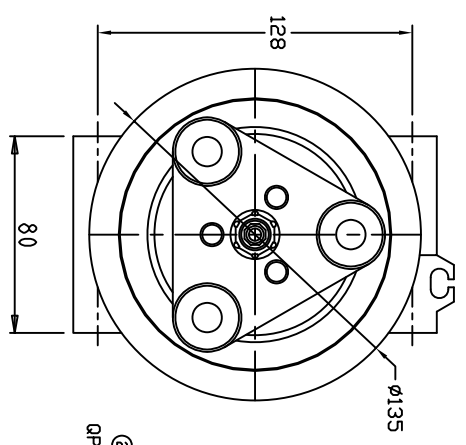


250 FROM FIELD COIL REF

APPROX 235

REVISIONS				
CHANGE ORDER	LTR	DESCRIPTION	DATE	APPROVED
008023	1	REDRAWN- PAG 46 was PAG 100	07/16/08	
009035	2	ADDED TOLERANCES & PART NDS	10/26/09	



CLUTCH SPECIFICATIONS:

- VOLTAGE..... 24 VDC
- BELT..... A2
- STATIC TORQUE..... 35 Nm (3.5 Kgfm)
- INITIAL.....
- AFTER BURNISHING..... 49 Nm (5 Kgfm)
- MAX POWER CONSUMPTION..... 45W @ 25°C
- ROTATION DIRECTION..... CW OR CCW
- WEIGHT..... 2.25 Kg

COMPRESSOR SPECIFICATIONS:

- MODEL..... QP-15HD
- NUMBER OF CYLINDERS..... 6
- BORE X STROKE..... 36 X 24.0 mm
- DISPLACEMENT..... 146.7 cm³/REV
- SPEED RANGE..... 700 - 6000 RPM
- ROTATION DIRECTION..... CW OR CCW
- REFRIGERANT..... R-134a
- LUBRICANT..... PAG 46 180+20 cm³
- WEIGHT..... 4.7 Kg

UNLESS OTHERWISE SPECIFIED DIMENSIONS ARE IN MM PER ASME Y14.5M - 1994

GALE PRODUCTS, LLC

COMPRESSION ASSEMBLY

QP-15HD, VERTICAL FITTING

A2 135mm 24V 3-EYE

THIRD ANGLE PROJECTION	CAD GENERATED DRAWING, DO NOT MANUALLY UPDATE	DATE	TITLE	SCALE	SHEET	OF
	GLB	10/16/06	COMPRESSION ASSEMBLY	NONE	1	1
FINISH	ENG APPVL		QP-15HD, VERTICAL FITTING			