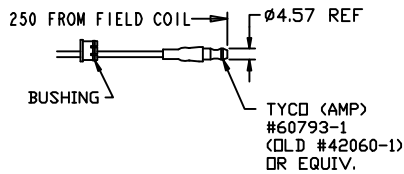
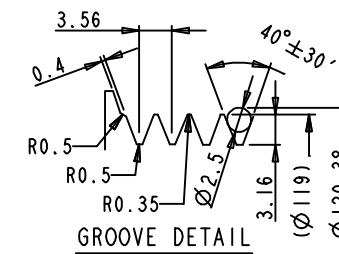
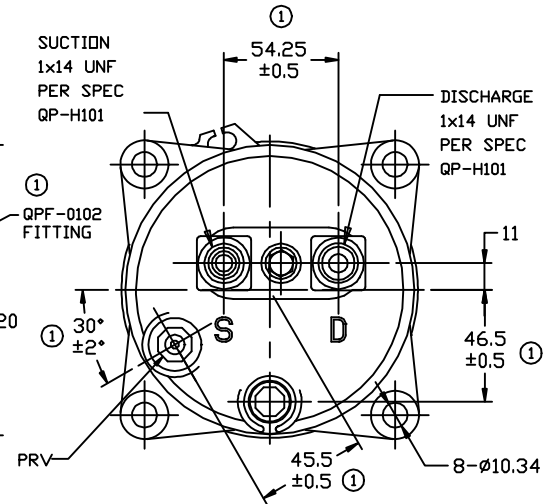
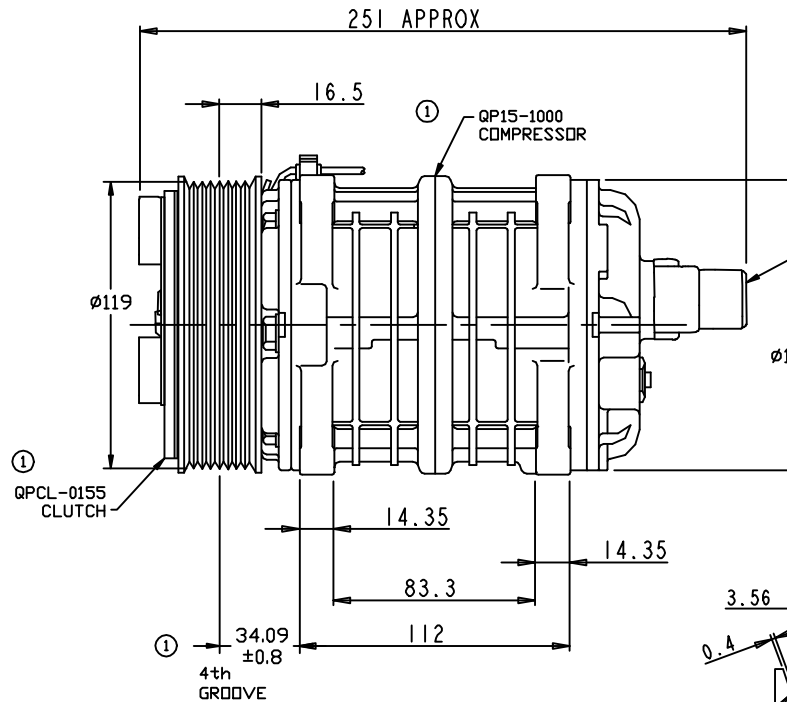
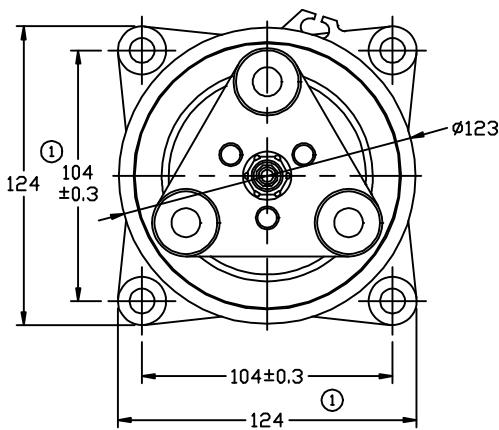


REVISIONS				
CHANGE ORDER	LTR	DESCRIPTION	DATE	APPROVED
Q08023	1	PAG 46 was PAG 100	10/01/08	
Q09035	2	ADDED TOLERANCES & PART NO'S	10/06/09	



TERMINAL LEAD DETAIL



CLUTCH SPECIFICATIONS:

- VOLTAGE.....12 VDC
- BELT.....PV8
- STATIC TORQUE
INITIAL.....35 Nm (3.5 Kgfm)
AFTER BURNISHING.....49 Nm (5 Kgfm)
- MAX POWER CONSUMPTION.....45W @ 25°C
- ROTATION DIRECTION.....CW OR CCW
- WEIGHT.....2.3 Kg

COMPRESSOR SPECIFICATIONS:

- MODEL.....QP-15HD
- NUMBER OF CYLINDERS.....6
- BORE X STROKE.....36 X 24.0 mm
- DISPLACEMENT.....146.7 cm³/REV
- SPEED RANGE.....700 - 6000 RPM
- ROTATION DIRECTION.....CW OR CCW
- REFRIGERANT.....R-134a
- LUBRICANT.....PAG 46 150+20cm³
- WEIGHT.....4.4 Kg

UNLESS OTHERWISE SPECIFIED DIMENSIONS ARE IN MM. INTERPRET DIM AND TOL PER ASME Y14.5M - 1994

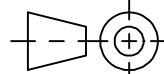
CAD GENERATED DRAWING. DO NOT MANUALLY UPDATE



THIRD ANGLE PROJECTION

DRAWN GLB DATE 09/08/07

TITLE COMPRESSOR ASSEMBLY
QP15HD H- 1 X 14
PV8 119mm 12V 3-EYE



CHECKED

APPROVED

SIZE A CODE IDENT NO DWG NO QP15-1173 REV 2

FINISH

ENG APPVL

SCALE NONE SHEET 1 OF 1