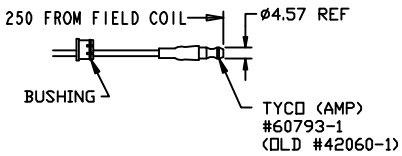
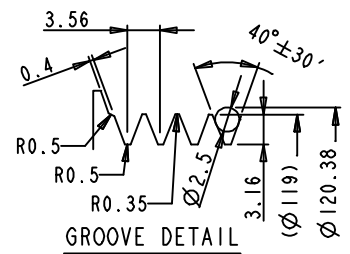
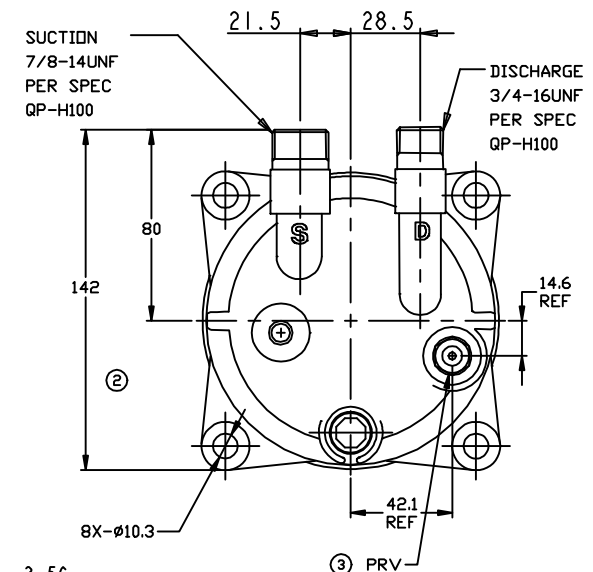
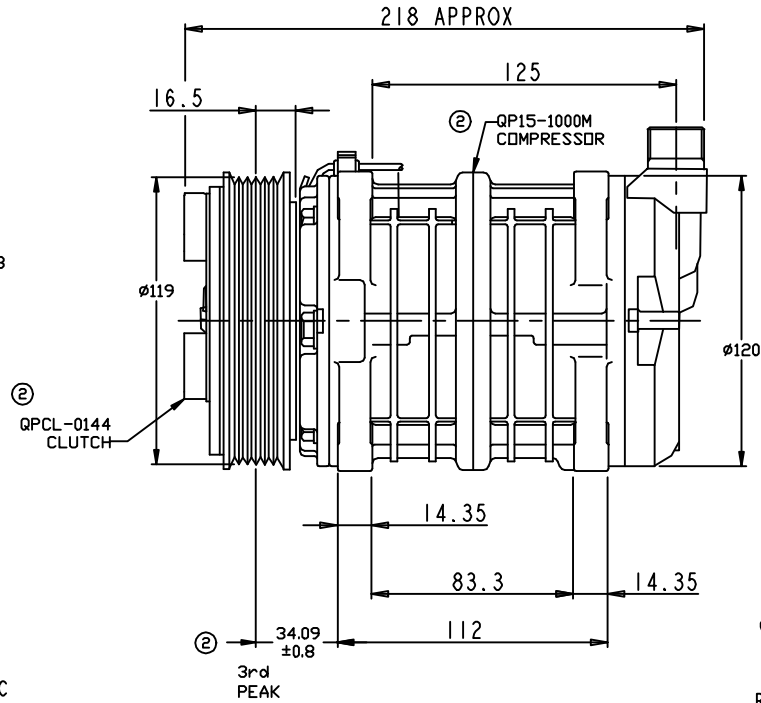
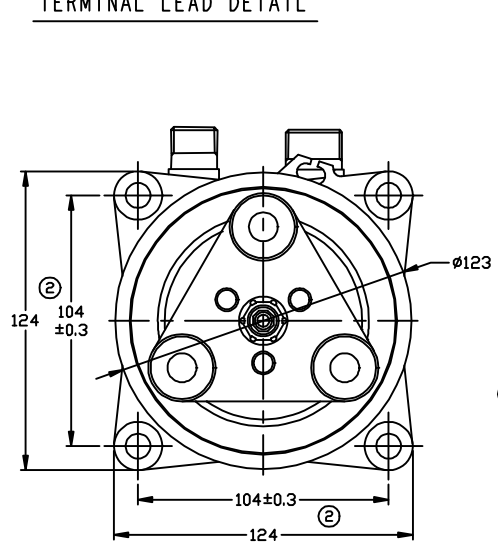


REVISIONS				
CHANGE ORDER	LTR	DESCRIPTION	DATE	APPROVED
Q08023	1	PAG 46 was PAG 100	10/01/08	
Q09035	2	ADDED TOLERANCES & PART NO'S	09/23/09	
Q11002	3	RELOCATED PRV	03/16/11	



TERMINAL LEAD DETAIL



- CLUTCH SPECIFICATIONS:
- VOLTAGE.....12 VDC
 - BELT.....PV6
 - STATIC TORQUE
 INITIAL.....35 Nm (3.5 Kgf·m)
 AFTER BURNISHING.....49 Nm (5 Kgf·m)
 - MAX POWER CONSUMPTION.....45W @ 25°C
 - ROTATION DIRECTION.....CW OR CCW
 - WEIGHT.....2.28 Kg

- COMPRESSOR SPECIFICATIONS:
- MODEL.....QP15HD
 - NUMBER OF CYLINDERS.....6
 - BORE X STROKE.....36 X 24.0 mm
 - DISPLACEMENT.....146.7 cm³/REV
 - SPEED RANGE.....700 - 6000 RPM
 - ROTATION DIRECTION.....CW OR CCW
 - REFRIGERANT.....R-134a
 - LUBRICANT.....PAG 46 150+20cm³
 - WEIGHT.....4.6 Kg

UNLESS OTHERWISE SPECIFIED DIMENSIONS ARE IN MM. INTERPRET DIM AND TOL PER ASME Y14.5M - 1994	CAD GENERATED DRAWING. DO NOT MANUALLY UPDATE	
	DRAWN GLB	DATE 11/08/07
THIRD ANGLE PROJECTION	CHECKED	
	APPROVED	
FINISH	ENG APPVL	

QUE PRODUCTS, LLC
 DECATUR, ILLINOIS

TITLE
 COMPRESSOR ASSEMBLY
 QP15HD V-3/4 7/8 MOND HEAD
 PV6 119mm 12V 3-EYE

SIZE A	CODE IDENT NO	DWG NO QP15-1162	REV 3
SCALE NONE		SHEET 1 OF 1	