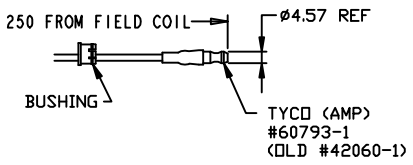
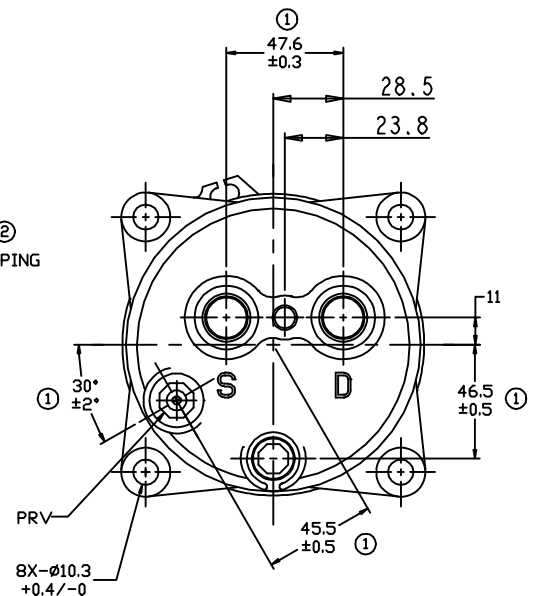
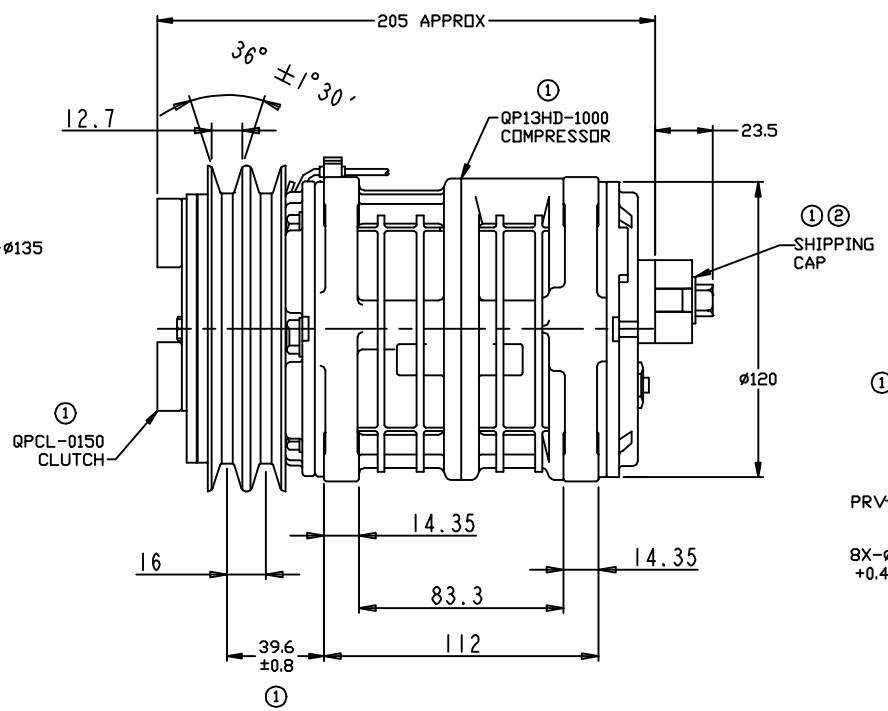
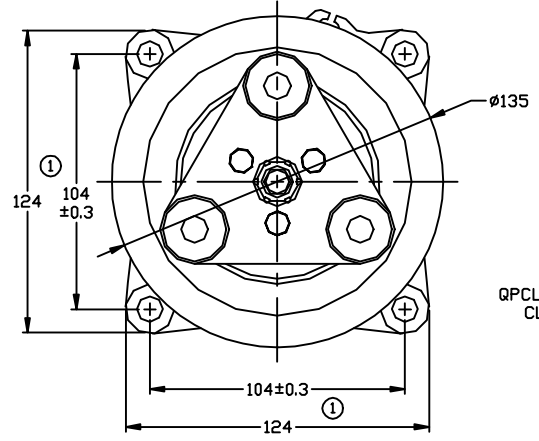


REVISIONS				
CHANGE ORDER	LTR	DESCRIPTION	DATE	APPROVED
Q09035	1	ADDED TOLERANCES & PART NO'S	09/21/09	
ENG	2	SHIPPING CAP WAS QPF-0103	08/16/10	



TERMINAL LEAD DETAIL



- CLUTCH SPECIFICATIONS:
- VOLTAGE.....24 VDC
 - BELT.....A2
 - STATIC TORQUE
 INITIAL.....35 Nm (3.5 Kgf)
 AFTER BURNISHING.....49 Nm (5 Kgf)
 - MAX POWER CONSUMPTION.....45W @ 25°C
 - ROTATION DIRECTION.....CW OR CCW
 - WEIGHT.....2.25 Kg

- COMPRESSOR SPECIFICATIONS:
- MODEL.....QP13HD
 - NUMBER OF CYLINDERS.....6
 - BORE X STROKE.....36 X 21.4 mm
 - DISPLACEMENT.....131 cm³/REV
 - SPEED RANGE.....700 - 6000 RPM
 - ROTATION DIRECTION.....CW OR CCW
 - REFRIGERANT.....R-134a
 - LUBRICANT.....PAG 46 150+20 cm³
 - WEIGHT.....4.5 Kg

THIRD ANGLE PROJECTION	UNLESS OTHERWISE SPECIFIED DIMENSIONS ARE IN MM. INTERPRET DIM AND TOL PER ASME Y14.5M - 1994		CAD GENERATED DRAWING, DO NOT MANUALLY UPDATE	
	DRAWN	GLB	DATE	03/12/09
	CHECKED			
	APPROVED			
FINISH	ENG APPVL			

TITLE				
COMPRESSOR ASSEMBLY				
QP13HD V-3/4 7/8				
A2 135mm 24V 3 EYE				
SIZE	CODE IDENT NO	DWG NO	REV	
A		QP13-1668	2	
SCALE NONE		SHEET 1 OF 1		