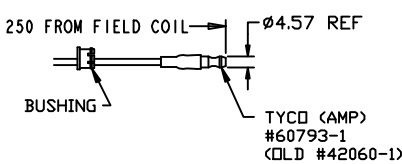
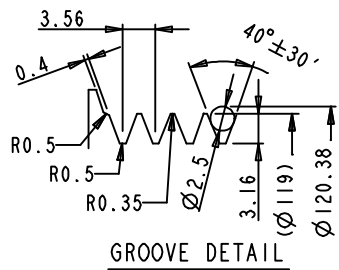
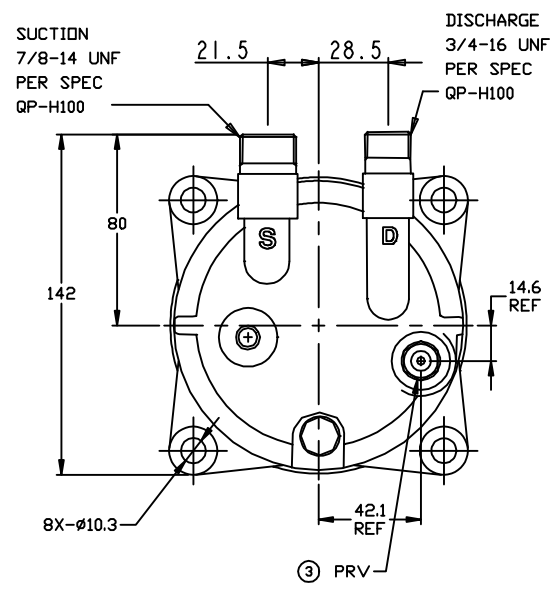
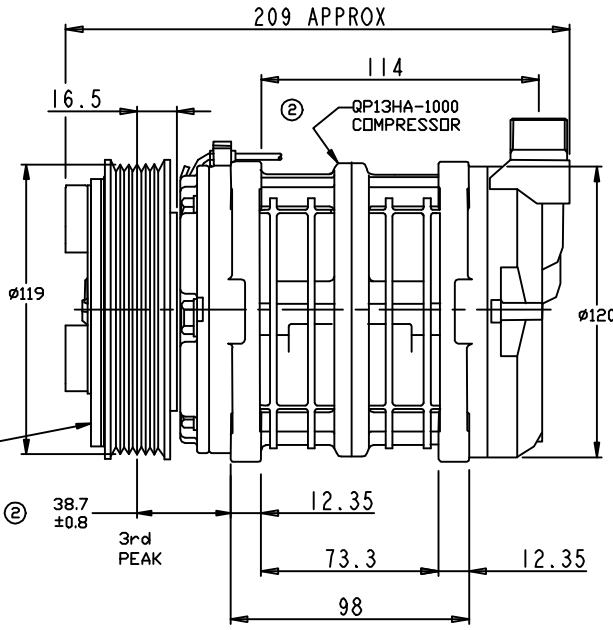
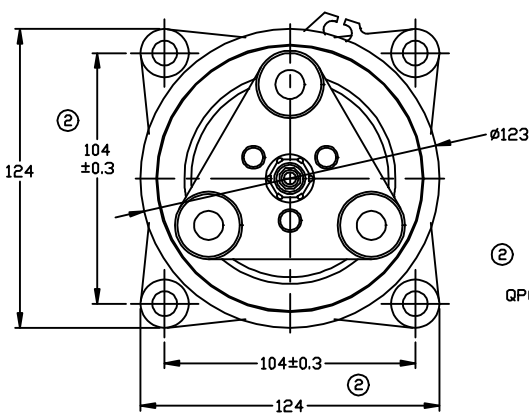


REVISIONS				
CHANGE ORDER	LTR	DESCRIPTION	DATE	APPROVED
Q08023	1	PAG 46 was PAG 100	08/22/08	
Q09035	2	ADDED TOLERANCES & PART NO'S	09/10/09	
Q11002	3	ADDED PRV & LOCATING DIMS	03/15/11	



TERMINAL LEAD DETAIL



- CLUTCH SPECIFICATIONS:
- VOLTAGE.....12 VDC
  - BELT.....PV6
  - STATIC TORQUE  
INITIAL.....35 Nm (3.5 KgfM)  
AFTER BURNISHING.....49 Nm (5 KgfM)
  - MAX POWER CONSUMPTION.....45W @ 25°C
  - ROTATION DIRECTION.....CW OR CCW
  - WEIGHT.....2.28 Kg

- COMPRESSOR SPECIFICATIONS:
- MODEL.....QP13HA
  - NUMBER OF CYLINDERS.....6
  - BORE X STROKE.....36 X 21.4 mm
  - DISPLACEMENT.....131 cm<sup>3</sup>/REV
  - SPEED RANGE.....700 - 6000 RPM
  - ROTATION DIRECTION.....CW OR CCW
  - REFRIGERANT.....R-134a
  - LUBRICANT.....PAG 46 150+20 cm<sup>3</sup>
  - WEIGHT.....4.4 Kg

THIRD ANGLE PROJECTION	UNLESS OTHERWISE SPECIFIED DIMENSIONS ARE IN MM. INTERPRET DIM AND TOL PER ASME Y14.5M - 1994		CAD GENERATED DRAWING, DO NOT MANUALLY UPDATE	
	DRAWN	GLB	DATE	05/08/07
	CHECKED			
	APPROVED			
FINISH		ENG APPVL		

**QUE PRODUCTS, LLC**  
DECATUR, ILLINOIS

TITLE: COMPRESSOR ASSEMBLY  
QP13HA V-3/4 7/8  
PV6 119mm 12V 3-EYE

SIZE A	CODE IDENT NO	DWG NO	REV 3
SCALE NONE		SHEET 1 OF 1	