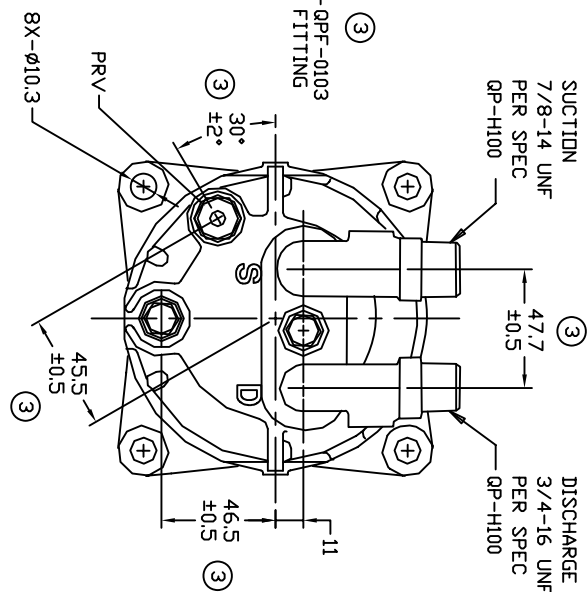
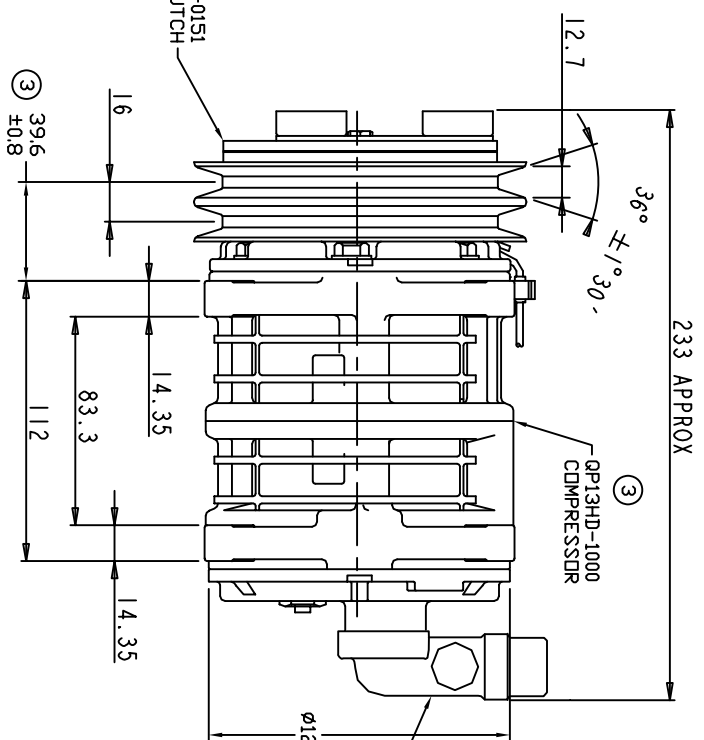
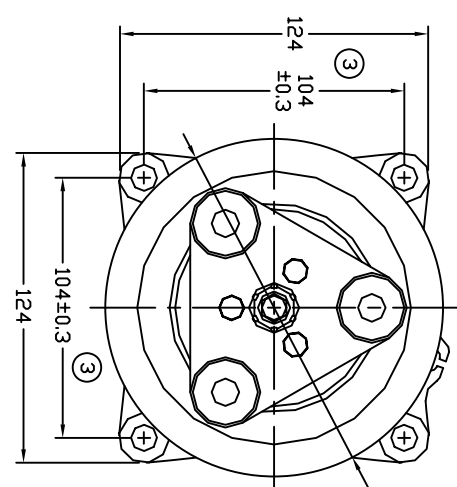


TERMINAL LEAD DETAIL



REVISIONS			DATE	APPROVED
CHANGE ORDER	LTR	DESCRIPTION	DATE	APPROVED
008023	1	PAG 46 was PAG 100	09/30/08	
009025	2	ADDED 'NO DIODE' NOTE	06/11/09	
009035	3	ADDED TOLERANCES & PART NOS	09/10/09	

CLUTCH SPECIFICATIONS:

- VOLTAGE.....12 VDC
- BELT.....A2
- STATIC TORQUE.....35 Nm (3.5 Kgfm)
- INITIAL AFTER BURNISHING.....49 Nm (5 Kgfm)
- MAX POWER CONSUMPTION.....45W @ 25°C
- ROTATION DIRECTION.....CW OR CCW
- WEIGHT.....2.25 Kg

COMPRESSOR SPECIFICATIONS:

- MODEL.....QP13HD
- NUMBER OF CYLINDERS.....6
- BORE X STROKE.....36 X 21.4 mm
- DISPLACEMENT.....131 cm<sup>3</sup>/REV
- SPEED RANGE.....700 - 6000 RPM
- ROTATION DIRECTION.....CW OR CCW
- REFRIGERANT.....R-134a
- LUBRICANT.....PAG 46 150+20 cm<sup>3</sup>
- WEIGHT.....4.5 Kg

② 1) NO DIODE IN CLUTCH COIL

UNLESS OTHERWISE SPECIFIED DIMENSIONS ARE IN MM. PER INTERPRET DIM AND TOL. PER ASME Y14.5M - 1994



THIRD ANGLE PROJECTION		CAD GENERATED DRAWING, DO NOT MANUALLY UPDATE		TITLE	
FINISH	ENG APPVL	GLB	DATE	COMPRESSOR ASSEMBLY	QP13HD V-3/4 7/8
CHECKED	APPROVED	06/21/07		QP13HD V-3/4 7/8	A2 135mm 12V 3-EYE
SCALE NONE	SHEET 1 OF 1	REV 3			