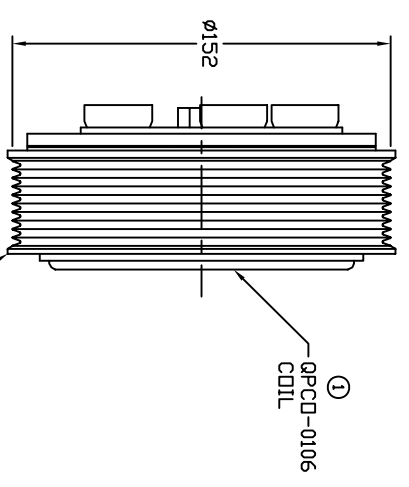
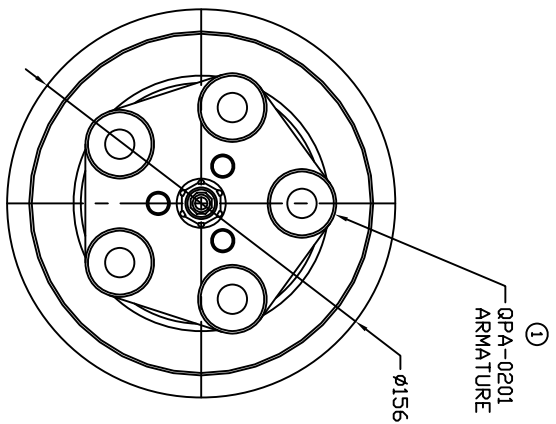
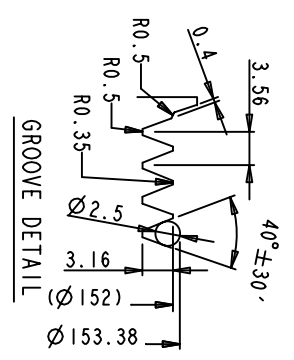
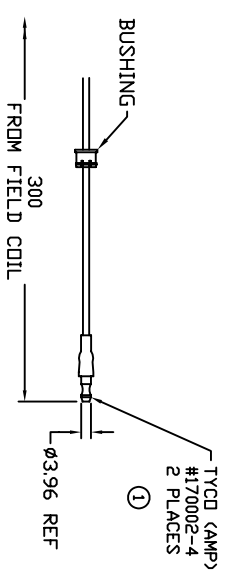


REVISIONS			DATE	APPROVED
CHANGE ORDER	LTR	DESCRIPTION		
009033	1	BULLET WAS 60793-1, ADDED PART NDS	11/13/09	



- CLUTCH SPECIFICATIONS:
- VOLTAGE..... 12 VDC
  - BELT..... PV10
  - MIN STATIC TORQUE..... 78 N·m (8 kgfm)
  - MAX POWER CONSUMPTION..... 46W @ 25°C
  - MINIMUM PULL-IN VOLTAGE..... 10.5V @ 90°C
  - MASS..... 5.3 kg



TERMINAL LEAD DETAIL

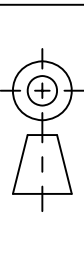
UNLESS OTHERWISE SPECIFIED  
DIMENSIONS ARE IN MM. PER  
INTERPRET DIM AND TOL. PER  
ASME Y14.5M - 1994

CAD GENERATED DRAWING;  
DO NOT MANUALLY UPDATE

**QUE PRODUCTS, LLC**

THIRD ANGLE PROJECTION

TITLE  
CLUTCH QP31



SIZE CODE IDENT NO DWG NO  
A  
QPCD-1702

FINISH

SCALE NONE SHEET 1 OF 1

A B C D 6 5 4 3 2