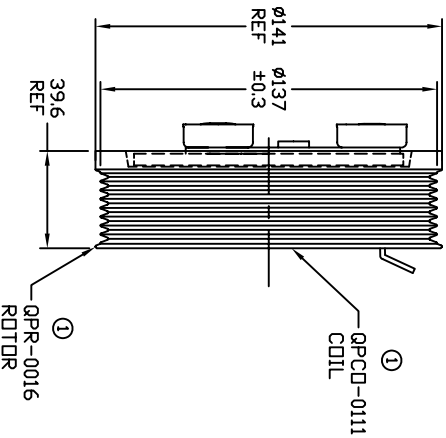
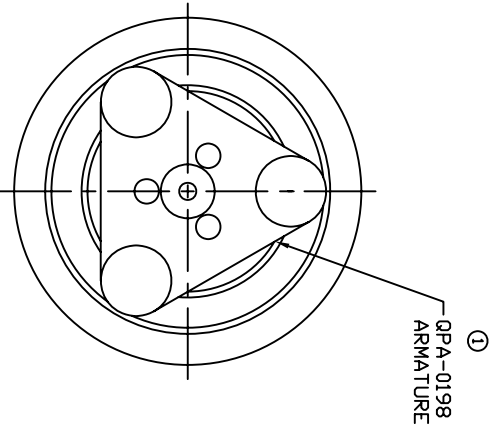
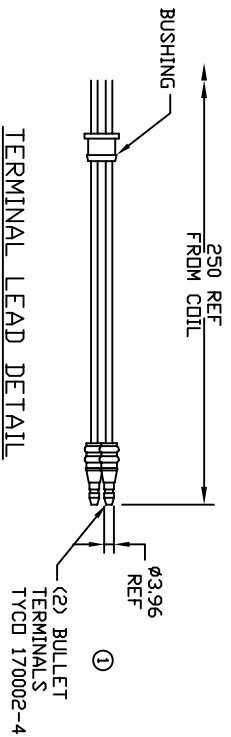
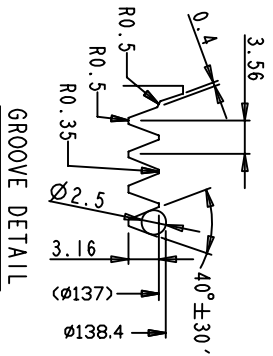


REVISIONS			DATE	APPROVED
CHANGE ORDER	LTR	DESCRIPTION		
009033	1	Ø396 WAS Ø4.57, ADDED PART NDS	11/17/09	



- CLUTCH SPECIFICATIONS:
- VOLTAGE..... 24 VDC
 - BELT..... PV8
 - STATIC TORQUE.....
 - INITIAL AFTER BURNISHING..... 35 Nm (3.5 Kgfm)
 - MAX POWER CONSUMPTION..... 49 Nm (5 Kgfm) 45W @ 25°C
 - WEIGHT..... CW OR CCW



UNLESS OTHERWISE SPECIFIED DIMENSIONS ARE IN MM. PER INTERPRET DIM AND TOL PER ASME Y14.5M - 1994

CAD GENERATED DRAWING; DO NOT MANUALLY UPDATE

THIRD ANGLE PROJECTION



FINISH

DRAWN DATE

GLB 08/18/09

CHECKED

APPROVED

ENG APPVL



TITLE

CLUTCH QP21

PV8 137mm 24V 3-EYE

SIZE CODE IDENT NO DWG NO QPCL-0215

SCALE NONE SHEET 1 OF 1

REV 1