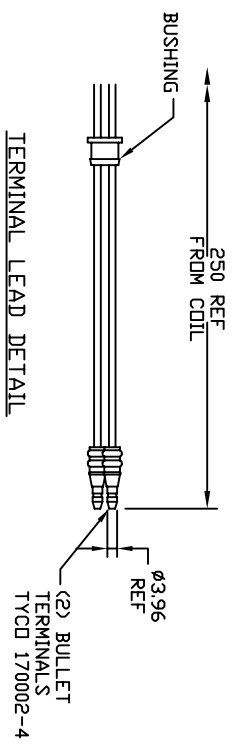
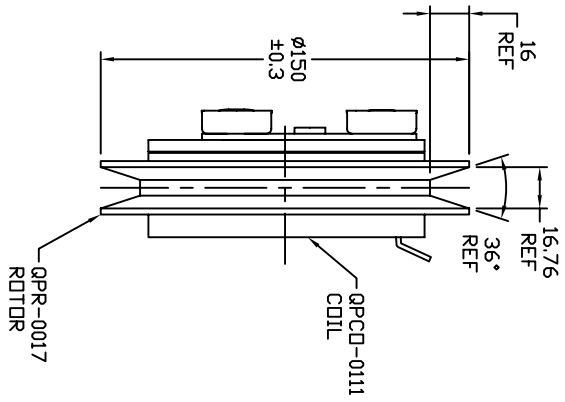
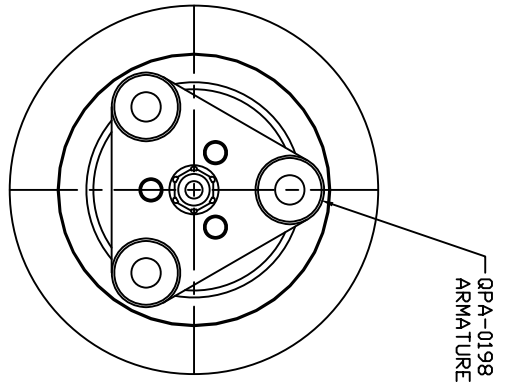


REVISIONS				
CHANGE ORDER	LTR	DESCRIPTION	DATE	APPROVED

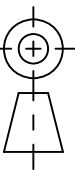
- CLUTCH SPECIFICATIONS:
- 1. VOLTAGE..... 24 VDC
 - 2. BELT..... B1
 - 3. STATIC TORQUE..... 35 Nm (3.5 KgfM)
 - INITIAL..... 49 Nm (5 KgfM)
 - AFTER BURNISHING..... 45W @ 25°C
 - 4. MAX POWER CONSUMPTION..... CW OR CCW
 - 5. ROTATION DIRECTION..... 2.7 Kg
 - 6. WEIGHT.....



UNLESS OTHERWISE SPECIFIED
DIMENSIONS ARE IN MM. PER
INTERPRET DIM AND TOL PER
ASME Y14.5M - 1994

CAD GENERATED DRAWING;
DO NOT MANUALLY UPDATE

THIRD ANGLE PROJECTION



FINISH

APPROVED

ENG APPVL



TITLE

CLUTCH QP21

B1 150mm 24V 3-EYE

SIZE A

CODE IDENT NO DWG NO QPCL-0186

SCALE NONE

SHEET 1 OF 1

