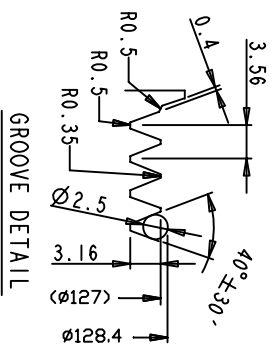
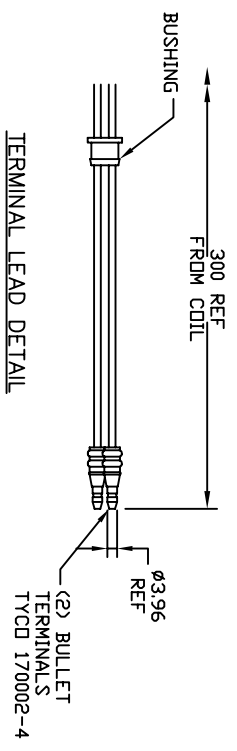
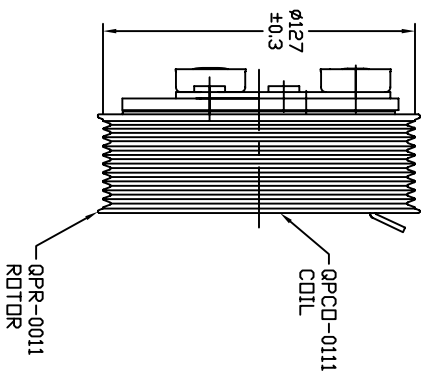
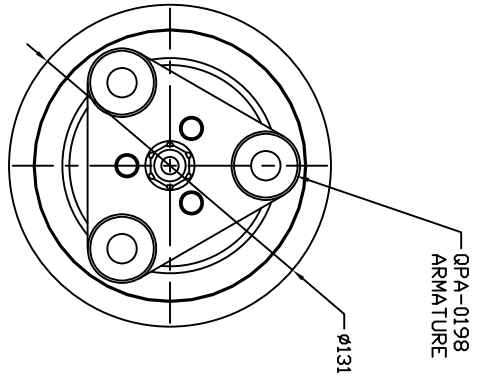


REVISIONS			DATE	APPROVED
CHANGE ORDER	LTR	DESCRIPTION		

- CLUTCH SPECIFICATIONS:
- 1. VOLTAGE..... 24 VDC
  - 2. BELT..... PV10
  - 3. STATIC TORQUE.....
  - INITIAL..... 35 Nm (3.5 Kgfm)
  - AFTER BURNISHING..... 49 Nm (5 Kgfm)
  - 4. MAX POWER CONSUMPTION..... 45W @ 25°C
  - 5. ROTATION DIRECTION..... CW OR CCW
  - 6. WEIGHT..... 2.7 Kg

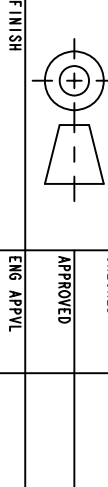


UNLESS OTHERWISE SPECIFIED  
DIMENSIONS ARE IN MM. PER  
INTERPRET DIM AND TOL. PER  
ASME Y14.5M - 1994

**QPAE PRODUCTS, LLC**

THIRD ANGLE PROJECTION	CAD GENERATED DRAWING; DO NOT MANUALLY UPDATE	DATE
CHECKED	GLB	11/19/09
APPROVED	ENG APPVL	

TITLE  
CLUTCH QP21  
PV10 127mm 24V 3-EYE



SIZE	CODE IDENT NO	DWG NO	REV
A		QPCL-0184	
SCALE	NONE	SHEET	1 OF 1

