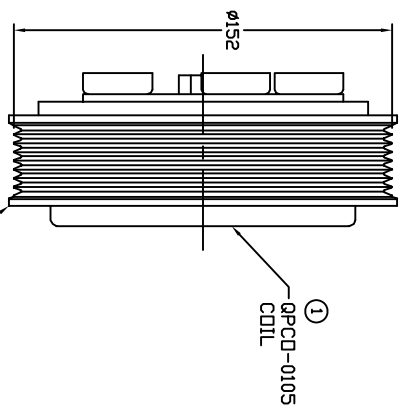
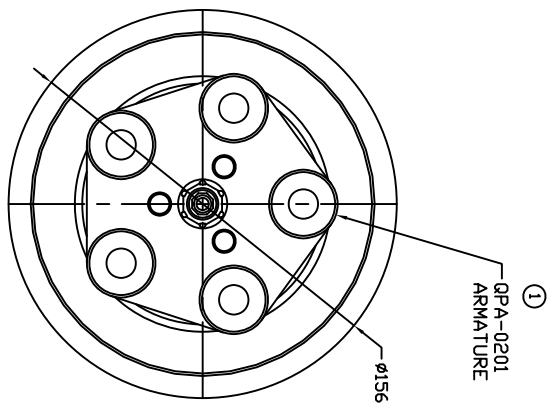
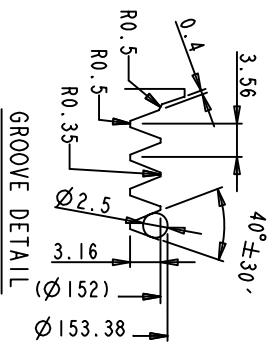
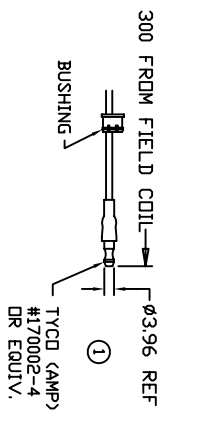


REVISIONS			DATE	APPROVED
CHANGE ORDER	LTR	DESCRIPTION		
009033	1	170002-4 (396) WAS 60793-1 (457) ADD PT NDS & NOTE 7	09/28/09	



- CLUTCH SPECIFICATIONS:
- VOLTAGE..... 24 VDC
 - BELT..... PV8
 - MIN STATIC TORQUE..... 18 Nm (8 kofm)
 - MAX POWER CONSUMPTION..... 48W @ 25°C
 - MINIMUM PULL-IN VOLTAGE..... 21V @ 90°C
 - MASS..... 5.3 kg
 - EXTERIOR OF CLUTCH TO BE PAINTED BLACK



UNLESS OTHERWISE SPECIFIED DIMENSIONS ARE IN MM. PER INTERPRET DIM AND TOL PER ASME Y14.5M - 1994		CAD GENERATED DRAWING; DO NOT MANUALLY UPDATE	
THIRD ANGLE PROJECTION	CHECKED	DATE	09/25/08
FINISH	APPROVED	SCALE	NONE
DRAWN		GLB	
ENG APPVL			
TITLE		CLUTCH QP31	
SIZE		PV8 152mm 24V 5-EYE	
SCALE		NONE	
SHEET		1 OF 1	
REV		1	

DOVE PRODUCTS, LLC