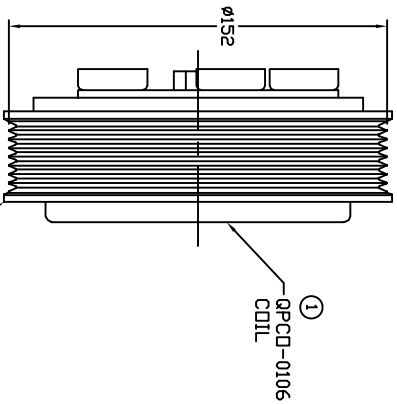
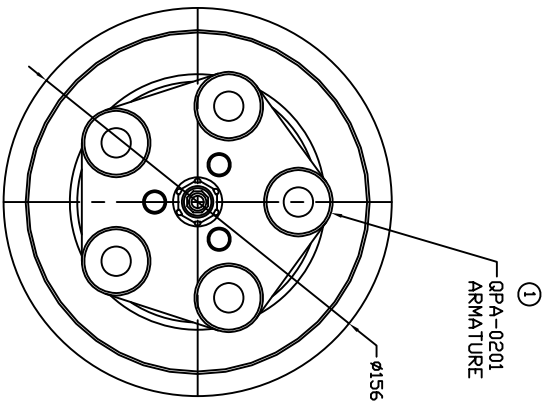
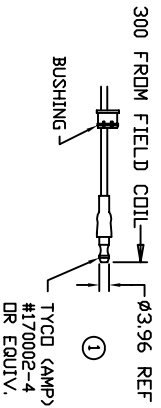


CHANGE ORDER		REVISIONS		
CHANGE ORDER	LTR	DESCRIPTION	DATE	APPROVED
009033	1	170002-4 (396) WAS 60793-1 (457) ADD PT NDS	11/13/09	

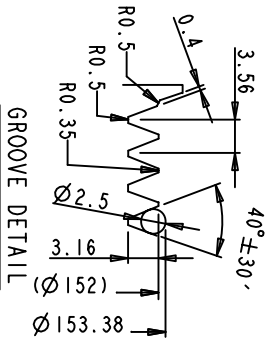


CLUTCH SPECIFICATIONS:

- VOLTAGE..... 24 VDC
- BELT..... PV8
- MIN STATIC TORQUE..... 78 N•m (8 kofm)
- MAX POWER CONSUMPTION..... 48W @ 25°C
- MINIMUM PULL-IN VOLTAGE..... 21V @ 90°C
- MASS..... 5.3 kg



TERMINAL LEAD DETAIL



GROOVE DETAIL

UNLESS OTHERWISE SPECIFIED
DIMENSIONS ARE IN MM. PER
INTERPRET DIM AND TOL. PER
ASME Y14.5M - 1994



CAD GENERATED DRAWING;
DO NOT MANUALLY UPDATE

THIRD ANGLE PROJECTION



FINISH

TITLE

CLUTCH QP31

PV8 152mm 12V 5-EYE

SIZE CODE IDENT NO DWG NO REV
A 170002-4 QPCL-0168 1

SCALE NONE SHEET 1 OF 1

DRAWN DATE
GLB 08/15/08

CHECKED

APPROVED

ENG APPVL

A

B

C

D

6

5

4

3

2

1

6

5

4

3

2

1

A

B

C

D