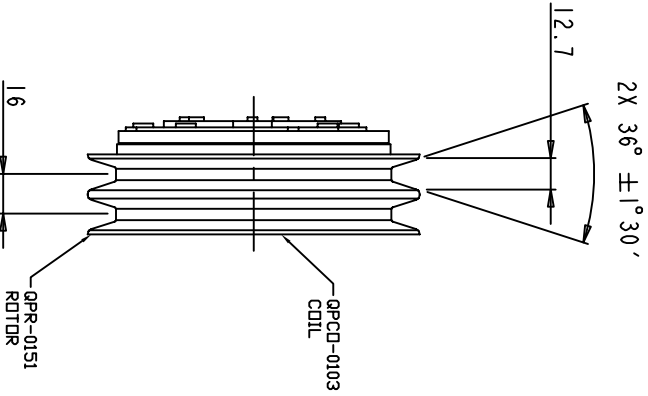
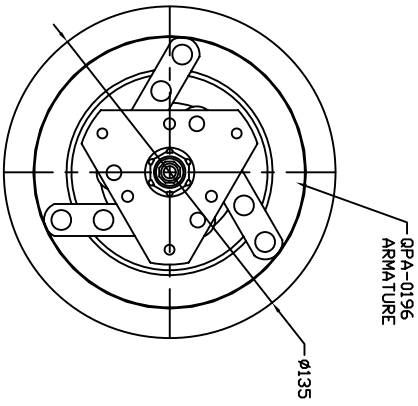
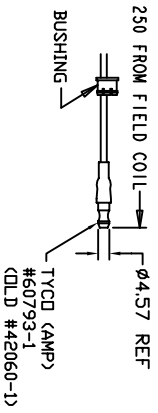


CHANGE ORDER		REVISIONS		
CHANGE ORDER	LTR	DESCRIPTION	DATE	APPROVED



- CLUTCH SPECIFICATIONS:
- VOLTAGE..... 12 VDC
 - BELT..... A2
 - STATIC TORQUE..... 35 Nm (3.5 Kgfm)
INITIAL..... 49 Nm (5 Kgfm)
AFTER BURNISHING..... 45W @ 25°C
 - MAX POWER CONSUMPTION..... 45W @ 25°C
 - ROTATION DIRECTION..... CW OR CCW
 - WEIGHT..... 2.25 Kg

TERMINAL LEAD DETAIL



UNLESS OTHERWISE SPECIFIED
DIMENSIONS ARE IN MM. PER
INTERPRET DIM AND TOL. PER
ASME Y14.5M - 1994

THIRD ANGLE PROJECTION



FINISH

CAD GENERATED DRAWING;
DO NOT MANUALLY UPDATE

DRAWN G.L.B. DATE 08/28/09

CHECKED

APPROVED
ENG APPVL



TITLE CLUTCH 08-16

A2 135 MM

12VDC LEAF SPRING

SIZE A CODE IDENT NO DWG NO QPCL-0157 REV

SCALE NONE SHEET 1 OF 1