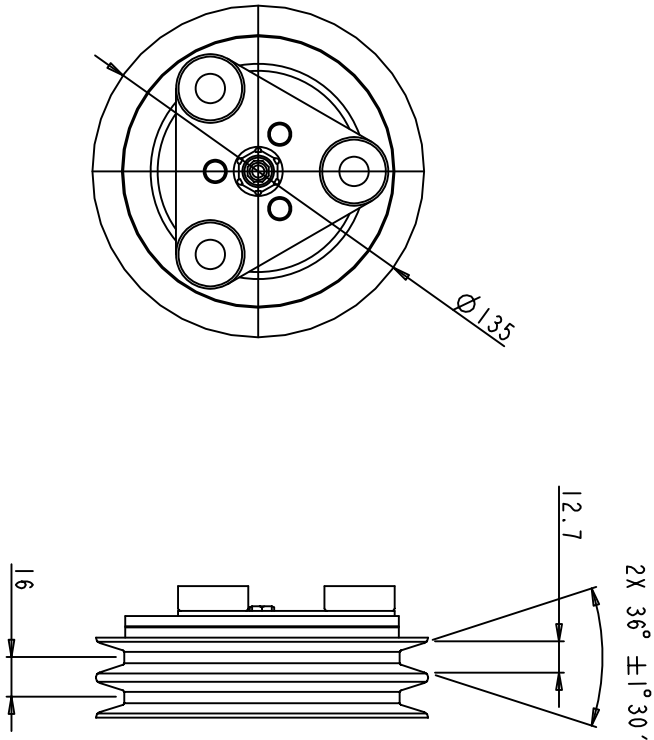


REVISIONS		DATE	APPROVED
CHANGE ORDER	LTR	DESCRIPTION	

- CLUTCH SPECIFICATIONS:
- VOLTAGE..... 12 VDC
  - BELT..... 2A
  - STATIC TORQUE  
INITIAL..... 35 Nm (3.5 Kgfm)  
AFTER BURNISHING..... 49 Nm (5 Kgfm)
  - MAX POWER CONSUMPTION..... 45W @ 25°C
  - ROTATION DIRECTION..... CW OR CCW
  - WEIGHT..... 2.25 Kg



250 FROM FIELD COIL  
BUSH  
TERMINAL:  
AMP 42060-(1CA105)  
TERMINAL LEAD DETAIL

UNLESS OTHERWISE SPECIFIED  
DIMENSIONS ARE IN MM. PER  
INTERPRET DIM AND TOL PER  
ASME Y14.5M - 1994

THIRD ANGLE PROJECTION



FINISH

**QUE** PRODUCTS, LLC

TITLE  
CLUTCH

2A, 135 MM O.D.  
12 VDC, 3-EYE

SIZE CODE IDENT NO DWG NO  
A QPCL-0151

SCALE NONE SHEET 1 OF 1

CAD GENERATED DRAWING;  
DO NOT MANUALLY UPDATE

DRAWN DATE  
11/09/07

CHECKED

APPROVED  
ENG APPVL