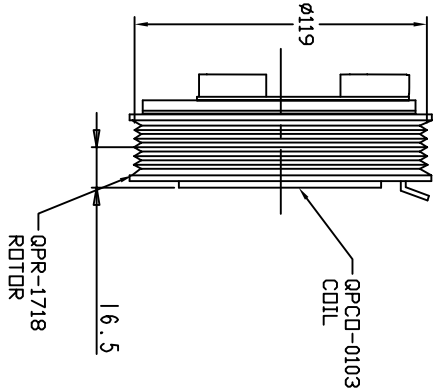
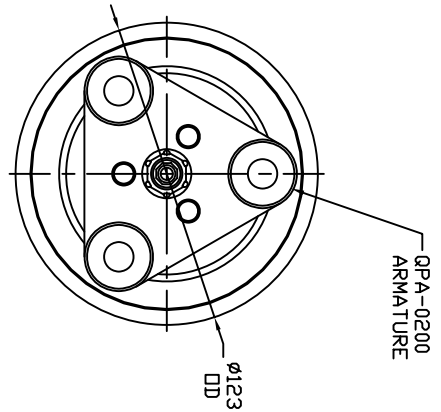
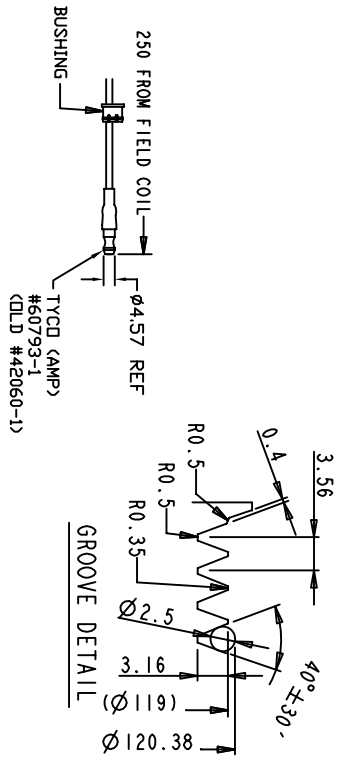


REVISIONS				
CHANGE ORDER	LTR	DESCRIPTION	DATE	APPROVED



- CLUTCH SPECIFICATIONS:
- VOLTAGE..... 12 VDC
 - BELT..... PV6
 - STATIC TORQUE..... INITIAL..... 35 Nm (3.5 Kgfm)
 - MAX POWER CONSUMPTION..... 49 Nm (5 Kgfm)
 - ROTATION DIRECTION..... 45W @ 25°C CW OR CCW
 - WEIGHT..... 2.28 Kg



UNLESS OTHERWISE SPECIFIED
DIMENSIONS ARE IN MM. PER
INTERPRET DIM AND TOL. PER
ASME Y14.5M - 1994

QQUE PRODUCTS, LLC

CAD GENERATED DRAWING;
DO NOT MANUALLY UPDATE

TITLE
CLUTCH 08-16

THIRD ANGLE PROJECTION

SIZE
A

FINISH

SCALE NONE

DRAWN
GLB
08/14/08

CODE IDENT NO
PV6 119MM 12V 3-EYE

CHECKED
APPROVED
ENG APPVL

DWG NO
QPCL-0144

SHEET 1 OF 1

A B C D

A B C D

6 5 4 3 2